

# Verse 3" Sloped New Construction Housing

V3\_ 1.0

## VISUAL COMFORT & Co.

ARCHITECTURAL COLLECTION

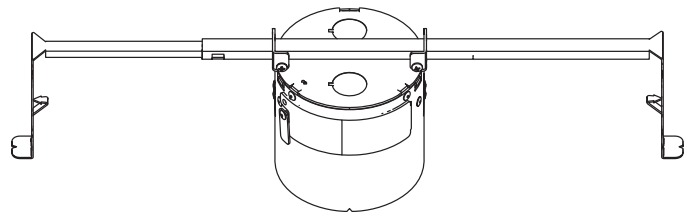
### GENERAL PRODUCT INFORMATION:



This product is suitable for indoor locations.

Reverse phase, Forward phase, and TRIAC dimming down to 2% to 4% with several dimmers.

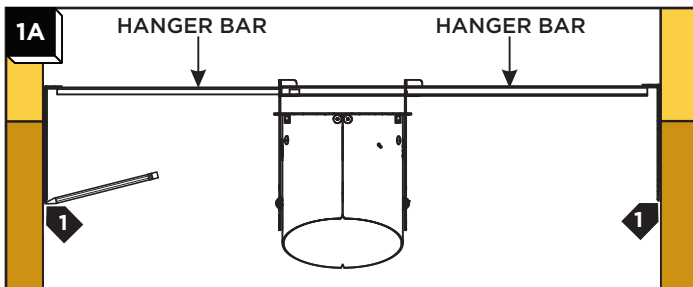
This instruction shows a typical installation.



**CAUTION - RISK OF FIRE**  
 This product must be installed in accordance with the applicable installation code by a person familiar with the construction and operation of the product and the hazards involved.  
**Use minimum 90°C supply conductors.**

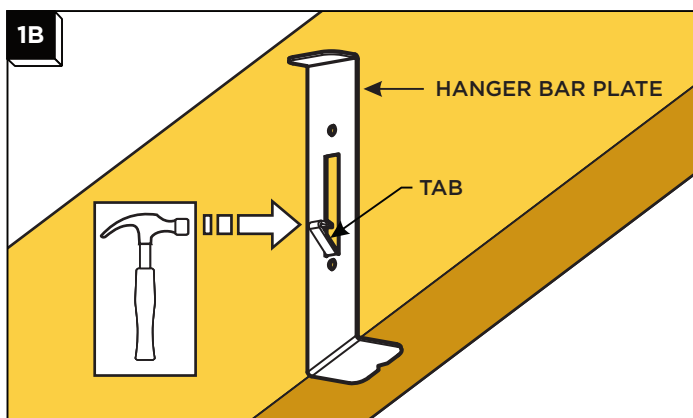
**SAVE THESE INSTRUCTIONS!**

### Install the Housing with Hanger Bars

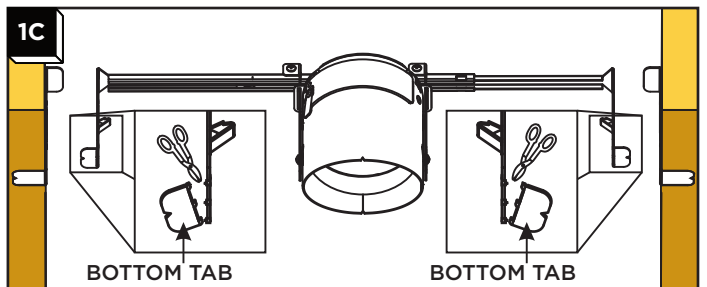


**NOTE: The hanger bar can only be mounted to joists that are spaced 16" apart.**

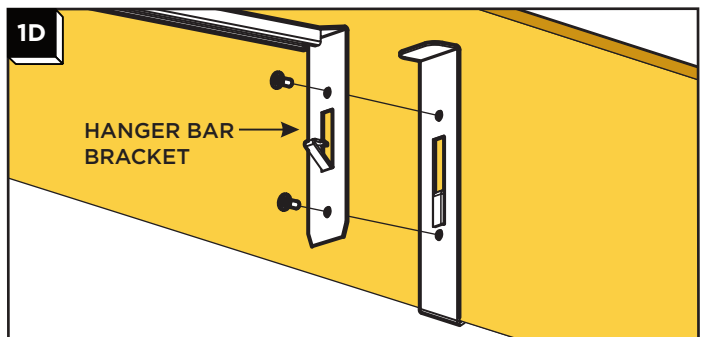
**1** Place the fixture in mounting location, ensure that the hanger bar is level, and mark the hanger bar bracket locations on each joist.



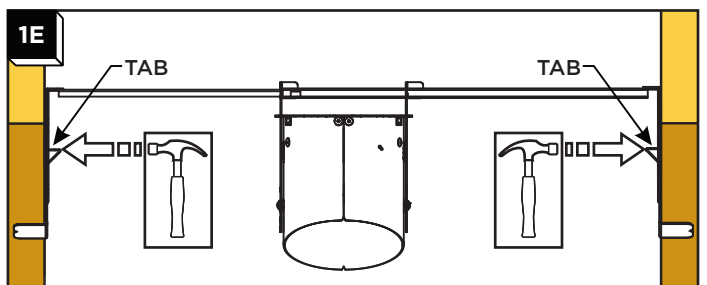
**2** Place the hanger bar plates at marked locations and, with a hammer, tap the mounting tabs completely into the joists to hold them in place.



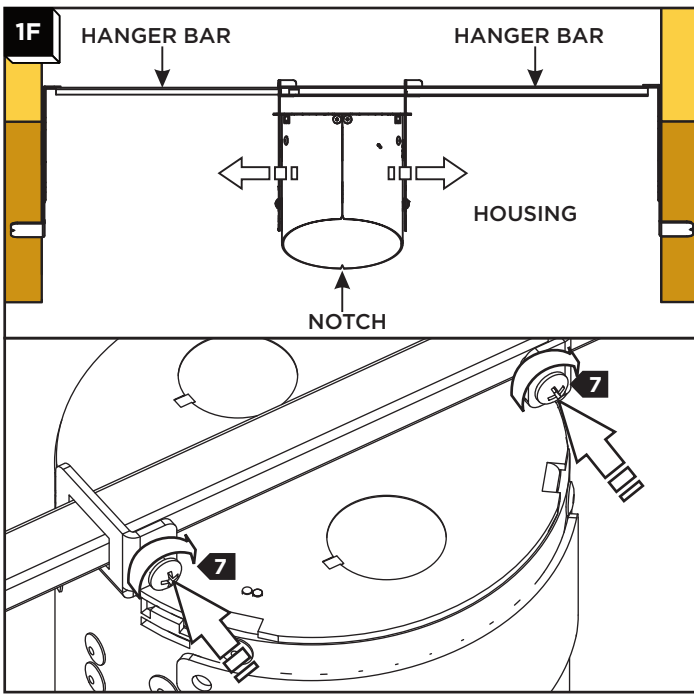
**3** Remove the bottoms tabs from the hanger bar brackets.



**4** Secure the hanger bar brackets to the hanger bar plates with provided screws.

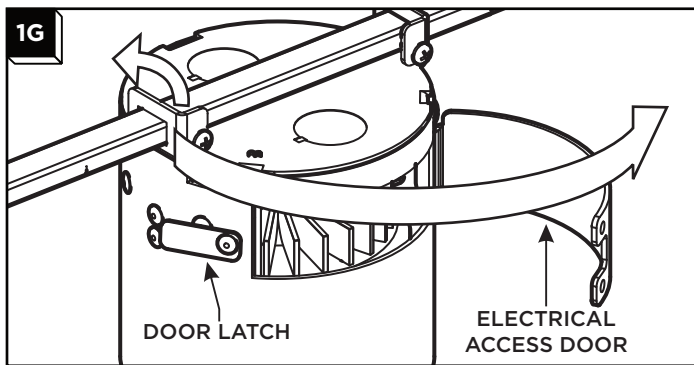


**5** Secure the hanger bar brackets to the joists by tapping the tabs in with a hammer.



- 6** Adjust the housing position by sliding it on the hanger bar.
- 7** When the desired location is achieved, tighten the two #6 screws to lock the housing onto the hanger bar.

**NOTE: Notches in collar can be used to align multiple housings using a laser or string.**



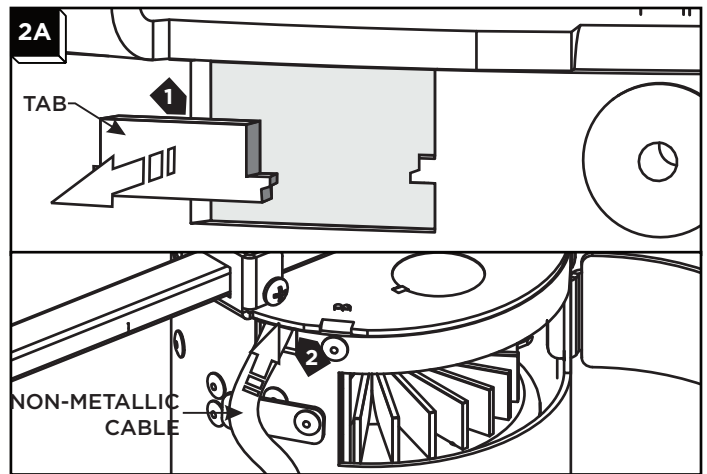
- 8** Swing the door latch upward to allow the electrical access door to open.

**Continue to the section suitable with your installation:**

Connect Power to the Housing with A Non-Metallic cable, go to Section 2A.

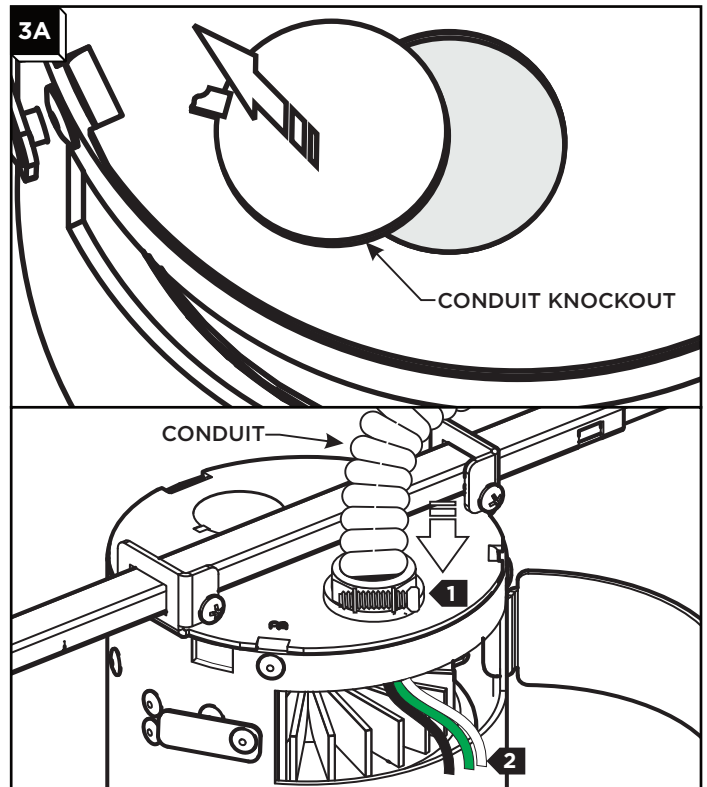
Connect Power to the Housing with Conduit, go to Section 3A.

## Connect Power with Non-Metallic Cable

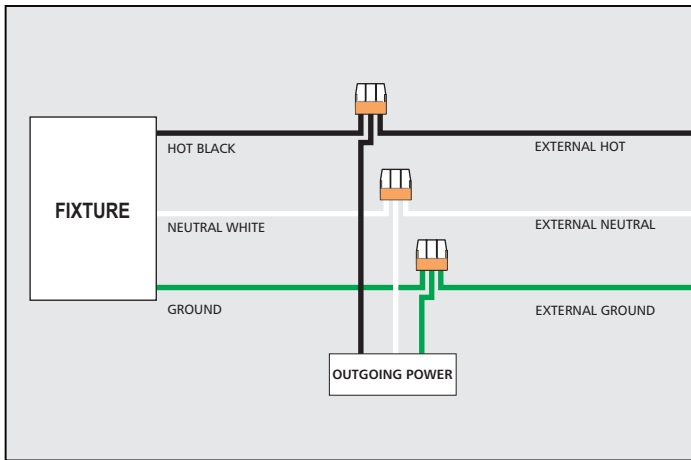


- 1** Break off tabs for non-metallic cable openings as needed.
- 2** Push non-metallic cable into openings until there is enough slack inside to comfortably make wiring connections.
- 3** Skip to the wiring diagram on the following page.

## Connect Power to the Housing with Conduit



- 1** Install the conduit to the housing electrical box.
- 2** Run the power line wires into the housing electrical box.
- 3** Use the following wiring diagram to wire your fixture.



## NOTES

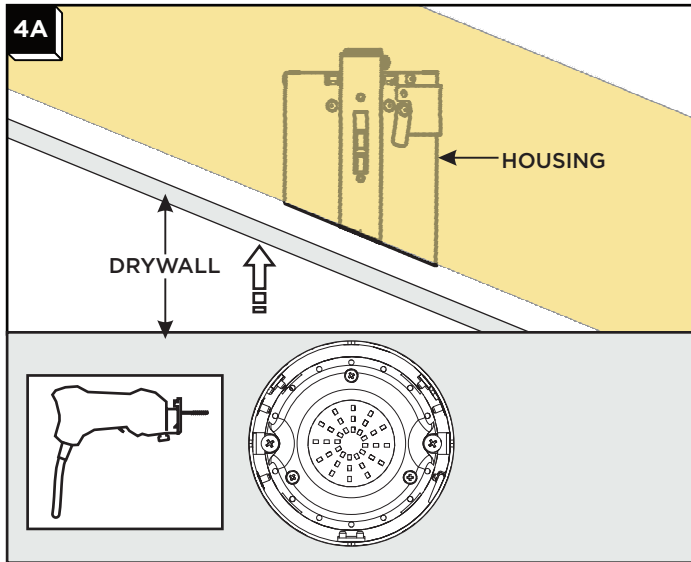
**Turn mains power off before installation.**

Make wiring connections per local codes.

Maximum one incoming and one outgoing 14AWG wire sets are allowed.

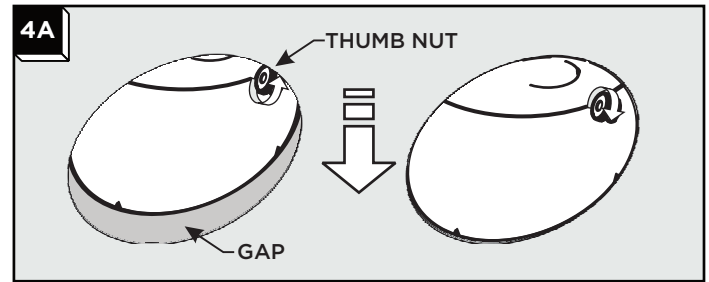
Close electrical access door and latch securely in place.

## Install Drywall



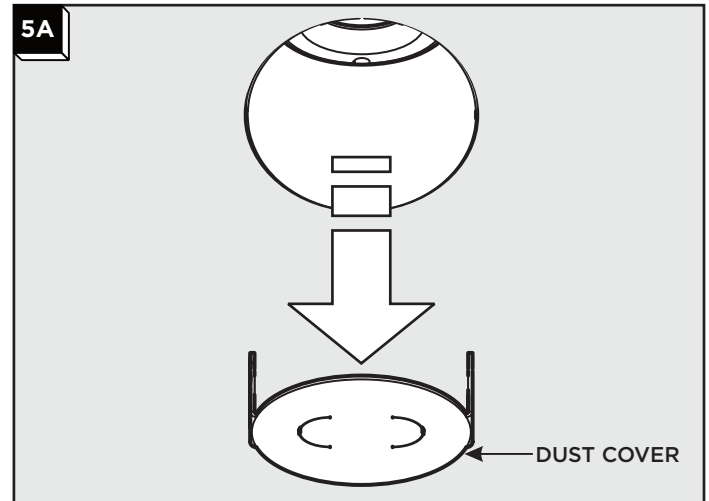
- 1 Install drywall onto joists noting the location of the fixtures.
- 2 Use the outer edge of the housing to cut the hole in the drywall.
- 3 The housing will drop partially into the cut hole.

## Adjust the Housing

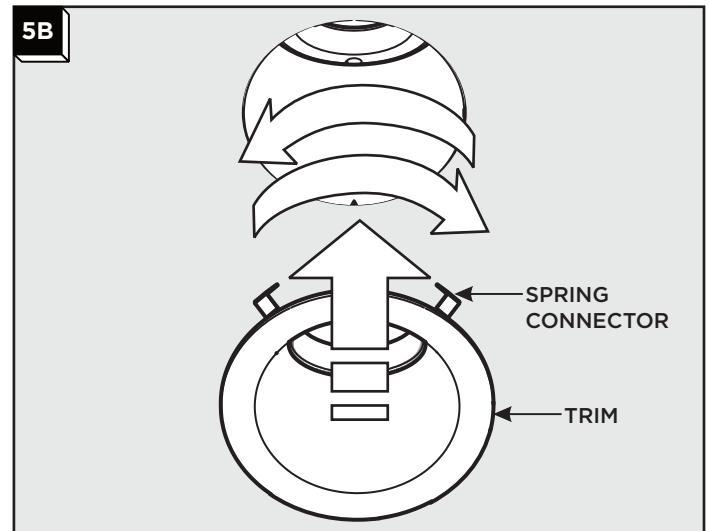


- 1 If there is a gap between the housing and ceiling surface, loosen the thumb nut in the housing to make the adjustment, then re-tighten the thumb screw.

## Install the Trim



- 1 Remove the dust cover from the housing.



- 2 Align the trim spring connectors with the inner edge of the housing.
- 3 Gently push the trim into the housing so that all spring connectors snap into place.

**NOTE: Gently twist the trim while pushing it upward into the housing to secure a tight fit.**

